

# Manufacture Of PVC Dip Molding & PVC Dip Coating



**Name**  
**Address**  
**Telephone**  
**Fax**  
**Website**  
**E-mail**

**N.S.D. TRADING LIMITED PARTNERSHIP**  
 57/4 Moo 12 Tanasit Road, Tambol Bangpla,  
 Ampur Bangplee, Samutprakarn 10540 THAILAND  
 +(662) 182-1112-3  
 +(662) 182-1114  
 http://www.nsd.co.th  
 sales@nsd.co.th ; yongyuth@nsd.co.th

**Established**  
**Share Holder**  
**Employee**  
**Management**

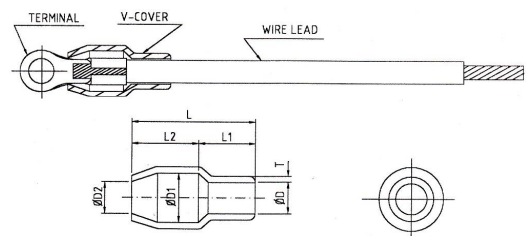
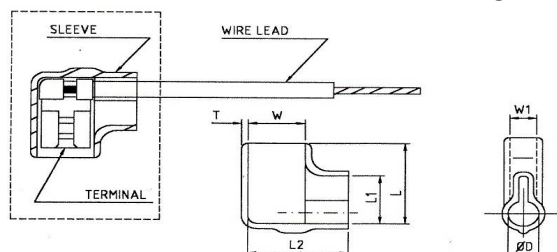
January, 2001  
 Mr.Saen Banyeam ; Ms.Varee Nimnoi  
 40 Persons  
 Managing Director : Mr.Saen Banyeam  
 Director : Ms.Varee Nimnoi  
 Production Admin Manager / QMR : Mr.Yongyuth Honghiran

**Main Customer**

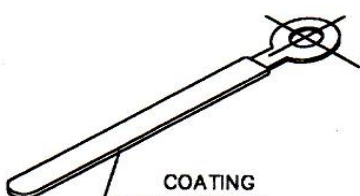
Electronic (Wiring Harness)  
 Electrical  
 Automotive  
 Other / Miscellaneous

**Production Machine**

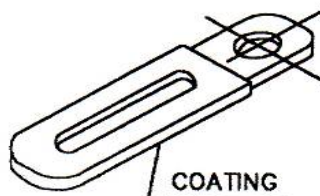
Semi Auto Dipping Machine  
 PVC Sol Blending & Vacuum  
 Auto Cutting Machine



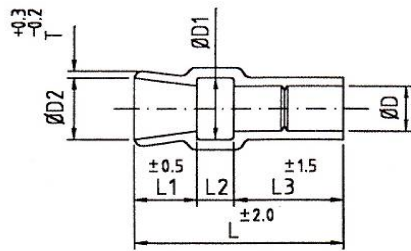
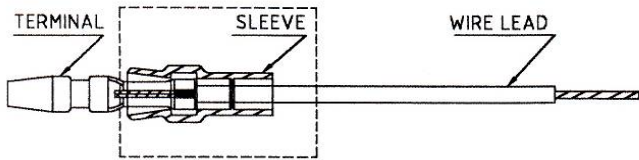
WIRE HOLDLE



CLAMP HOOK



# Manufacture Of PVC Dip Molding & PVC Dip Coating



Materials : Soft PVC

D1001 Clear Color

D1007 Solid Color

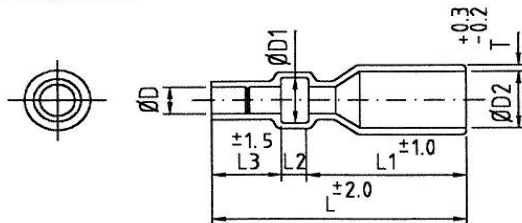
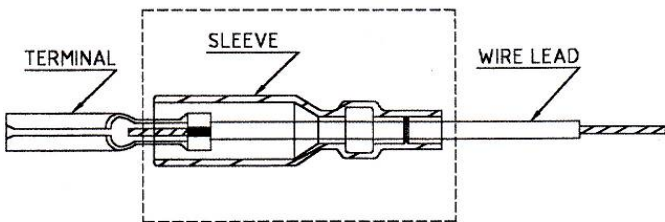
D2001MA All Color



## NA-Series

Dimension : MM.

Dimension	WIRE	D	D1	D2	L	L1	L2	L3	T	Packing	T(UL)
	LEAD										N/A
Part No.	AWG				-2.0	-0.5		-1.5	-0.2	(Pcs.)	N/A
NA-25-14	11	2.5	4.2	4.2	14.0	4.5	2.5	7.0	0.8	1000	N/A
NA-28-14	10	2.8	4.2	4.2	14.0	4.5	2.5	7.0	0.8	1000	N/A
NA-30-14	9	3.0	4.2	4.2	14.0	4.5	2.5	7.0	0.8	1000	N/A
NA-32-14	9	3.2	4.2	4.2	14.0	4.5	2.5	7.0	0.8	1000	N/A
NA-35-14	8	3.5	4.2	4.2	14.0	4.5	2.5	7.0	0.8	1000	N/A
NA-40-14	7	4.0	4.2	4.2	14.0	4.5	2.5	7.0	0.8	1000	N/A



Materials : Soft PVC

D1001 Clear Color

D1007 Solid Color

D2001MA All Color

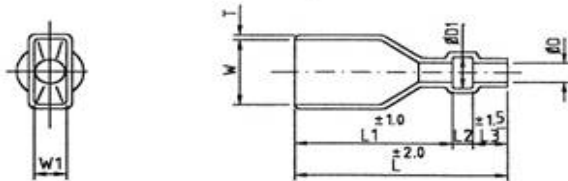
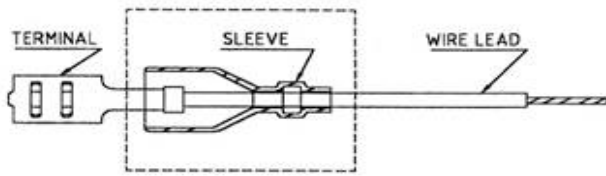


## NB-Series

Dimension : MM.

Dimension	WIRE	D	D1	D2	L	L1	L2	L3	T	Packing	T(UL)
	LEAD										N/A
Part No.	AWG				-2.0	-1.0		-1.5	-0.2	(Pcs.)	N/A
NB-25-34	11	2.5	4.5	5.0	34.0	24.5	2.5	7.0	0.8	1000	N/A
NB-28-34	10	2.8	4.5	5.0	34.0	24.5	2.5	7.0	0.8	1000	N/A
NB-30-34	9	3.0	4.5	5.0	34.0	24.5	2.5	7.0	0.8	1000	N/A
NB-32-34	9	3.2	4.5	5.0	34.0	24.5	2.5	7.0	0.8	1000	N/A
NB-35-34	8	3.5	4.5	5.0	34.0	24.5	2.5	7.0	0.8	1000	N/A
NB-40-34	7	4.0	4.5	5.0	34.0	24.5	2.5	7.0	0.8	1000	N/A

# Manufacture Of PVC Dip Molding & PVC Dip Coating



Materials : Soft PVC  
 D1001 Clear Color  
 D1007 Solid Color  
 D2001MA All Color



YDTU2.E339449

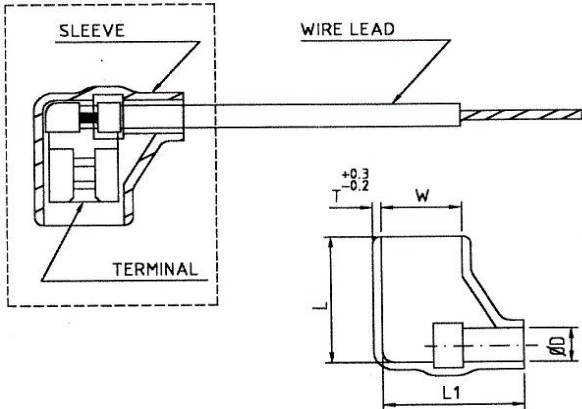
**NT-Series**

Dimension : MM.

Dimension	WIRE	W	W1	D	D1	L	L1	L2	L3	T	Packing	T(UL)
	LEAD					+2.0	+1.0		+1.5	+0.3	Std.	+0.1
Part No.	AWG					-2.0	-1.0		-1.5	-0.2	(Pcs.)	-0.1
NT110-20-23	13	4.0	1.8	2.0	3.0	23.0	15.5	2.5	5.0	0.8	1000	0.9
NT110-25-23	11	4.0	1.8	2.5	3.5	23.0	15.5	2.5	5.0	0.8	1000	0.9
NT110-30-23	9	4.0	1.8	3.0	4.0	23.0	15.5	2.5	5.0	0.8	1000	0.9
NT187-20-23	13	6.0	2.3	2.0	3.0	23.0	15.5	2.5	5.0	0.8	1000	0.9
NT187-25-23	11	6.0	2.3	2.5	3.5	23.0	15.5	2.5	5.0	0.8	1000	0.9
NT187-30-23	9	6.0	2.3	3.0	4.0	23.0	15.5	2.5	5.0	0.8	1000	0.9
NT187-32-23	9	6.0	2.3	3.2	4.2	23.0	15.5	2.5	5.0	0.8	1000	0.9
NT187-35-23	8	6.0	2.3	3.5	4.5	23.0	15.5	2.5	5.0	0.8	1000	0.9
NT187-40-23	7	6.0	2.3	4.0	5.0	23.0	15.5	2.5	5.0	0.8	1000	0.9
NT187-45-23	6	6.0	2.3	4.5	5.5	23.0	15.5	2.5	5.0	0.8	1000	0.9
NT205-25-23	11	6.5	3.2	2.5	3.5	23.0	15.5	2.5	5.0	1.0	1000	0.9
NT205-30-23	9	6.5	3.2	3.0	4.0	23.0	15.5	2.5	5.0	1.0	1000	0.9
NT205-35-23	8	6.5	3.2	3.5	4.5	23.0	15.5	2.5	5.0	1.0	1000	0.9
NT205-40-23	7	6.5	3.2	4.0	5.0	23.0	15.5	2.5	5.0	1.0	1000	0.9
NT205-45-23	6	6.5	3.2	4.5	5.5	23.0	15.5	2.5	5.0	1.0	1000	0.9
NT250-20-26	13	8.0	3.5	2.0	3.0	26.0	18.0	3.0	5.0	1.0	1000	0.9
NT250-25-26	11	8.0	3.5	2.5	3.5	26.0	18.0	3.0	5.0	1.0	1000	0.9
NT250-28-26	10	8.0	3.5	2.8	3.8	26.0	18.0	3.0	5.0	1.0	1000	0.9
NT250-30-26	9	8.0	3.5	3.0	4.0	26.0	18.0	3.0	5.0	1.0	1000	0.9
NT250-32-26	9	8.0	3.5	3.2	4.2	26.0	18.0	3.0	5.0	1.0	1000	0.9
NT250-35-26	8	8.0	3.5	3.5	4.5	26.0	18.0	3.0	5.0	1.0	1000	0.9
NT250-40-26	7	8.0	3.5	4.0	5.0	26.0	18.0	3.0	5.0	1.0	1000	0.9
NT250-45-26	6	8.0	3.5	4.5	5.5	26.0	18.0	3.0	5.0	1.0	1000	0.9
NT250-50-26	5	8.0	3.5	5.0	6.0	26.0	18.0	3.0	5.0	1.0	1000	0.9
NT10-25-34	11	11.5	5.5	2.5	3.5	34.0	26.0	3.0	5.0	1.0	500	1.2
NT10-32-34	9	11.5	5.5	3.2	4.2	34.0	26.0	3.0	5.0	1.0	500	1.2



## Manufacture Of PVC Dip Molding & PVC Dip Coating



Materials : Soft PVC

D1001 Clear Color

D1007 Solid Color

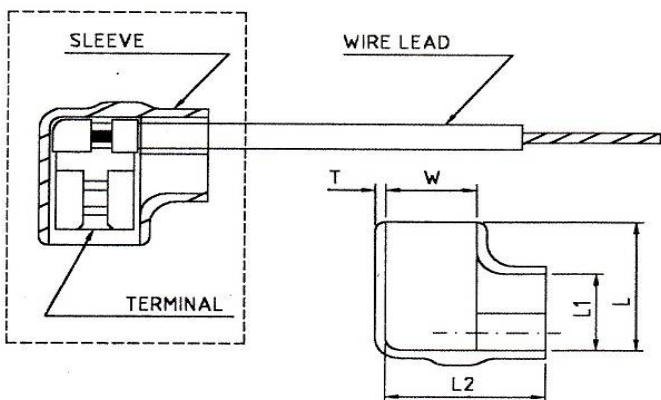
D2001MA All Color



### NH-Series

Dimension : MM.

Dimension	WIRE	W	W1	D	L1	L	T	Packing	T(UL)
	LEAD								Std.
Part No.	AWG							(Pcs.)	N/A
NH187-30-12.5	9	6.0	2.5	3.0	12.5	13.0	0.8	1000	N/A
NH187-30-14	9	6.0	2.5	3.0	14.0	13.0	0.8	1000	N/A
NH187-35-14	8	6.0	2.5	3.5	14.0	13.0	0.8	1000	N/A
NH187-40-14	7	6.0	2.5	4.0	14.0	13.0	0.8	1000	N/A
NH250-25-17	11	8.0	3.5	2.5	17.0	16.0	1.0	1000	N/A
NH250-30-17	9	8.0	3.5	3.0	17.0	16.0	1.0	1000	N/A
NH250-32-17	9	8.0	3.5	3.2	17.0	16.0	1.0	1000	N/A
NH250-40-17	7	8.0	3.5	4.0	17.0	16.0	1.0	1000	N/A
NH250-50-17	5	8.0	3.5	5.0	17.0	16.0	1.0	1000	N/A
NH250-60-17	3	8.0	3.5	6.0	17.0	16.0	1.0	1000	N/A



Materials : Soft PVC

D1001 Clear Color

D1007 Solid Color

D2001MA All Color



YDTU2.E339449

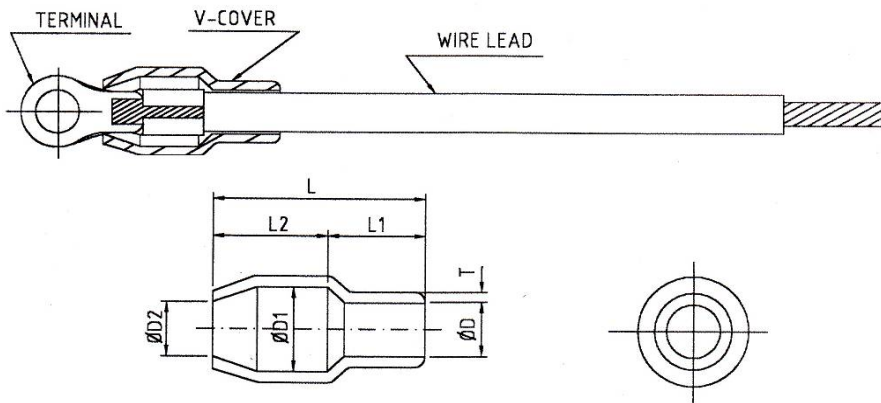


### KMZ-Series

Dimension : MM.

Dimension	WIRE	W	W1	D	L1	L	L2	T	Packing	T(UL)
	LEAD									Std.
Part No.	AWG								(Pcs.)	
NH187-KMZ-14	9	6.0	2.5	3.0	8.0	14.0	13.0	0.8	1000	0.7 - 1.1
NH250-KMZ-14	7	8.0	3.5	4.0	10.0	14.0	16.0	1.0	1000	0.7 - 1.3
NH250-KMZ-17	7	8.0	3.5	4.0	10.0	17.0	16.0	1.0	1000	0.7 - 1.3

## Manufacture Of PVC Dip Molding & PVC Dip Coating

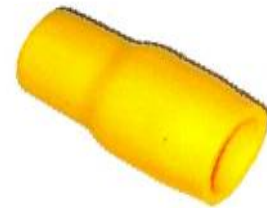


Materials : Soft PVC

D1001 Clear Color

D1007 Solid Color

D2001MA All Color

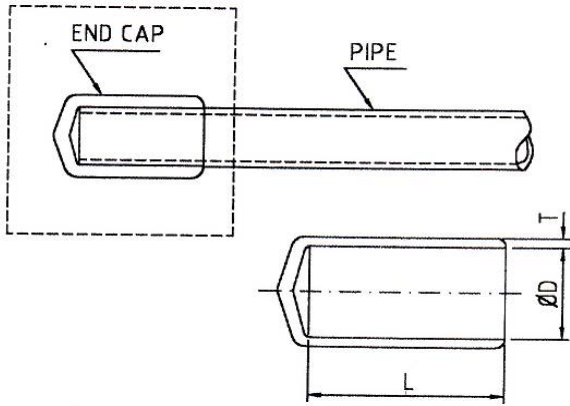


**NV-Series**

Dimension : MM.

Dimension	WIRE LEAD	D2	D1	D	L	L2	L1	T	T(UL)
Part No.	AWG				+2.0	+1.0	+1.0	+0.3	N/A
NV-001	9	2.8	3.3	3.1	13.0	6.0	7.0	0.6	N/A
NV-002	8	3.3	4.5	3.7	14.0	7.0	7.0	0.7	N/A
NV-003	7	4.5	5.7	4.1	17.0	9.0	8.0	0.8	N/A
NV-005	4	4.8	5.7	5.2	17.0	9.0	8.0	0.8	N/A
NV-008	3	6.2	7.2	6.2	19.0	10.0	9.0	1.0	N/A
Dimension	WIRE LEAD	D2	D1	D	L	L2	L1	T	T(UL)
Part No.	AWG				+2.4	+1.2	+1.2	+0.3	N/A
NV-014	1	8.0	10.0	8.0	25.0	14.0	11.0	1.1	N/A
NV-022	1/0	10.0	12.0	9.5	30.0	15.0	15.0	1.2	N/A
NV-038	2/0	12.0	14.0	11.8	34.0	17.5	16.5	1.5	N/A
NV-060	3/0	14.5	17.0	13.9	39.0	20.0	19.0	1.5	N/A
Dimension	WIRE LEAD	D2	D1	D	L	L2	L1	T	T(UL)
Part No.	AWG				+3.0	+1.5	+1.5	+0.4	N/A
NV-080	N/A	17.0	19.5	16.0	47.0	25.0	22.0	1.6	N/A
NV-100	N/A	18.5	22.0	18.0	54.0	30.0	24.0	1.7	N/A
NV-125	N/A	21.5	24.4	20.0	57.0	32.0	25.0	1.8	N/A
NV-150	N/A	23.0	24.4	22.0	65.0	35.0	30.0	2.0	N/A
NV-200	N/A	27.0	32.0	24.0	65.0	35.0	30.0	2.0	N/A
Dimension	WIRE LEAD	D2	D1	D	L	L2	L1	T	T(UL)
Part No.	AWG				+4.0	+2.0	+2.0	+0.6	N/A
NV-250	N/A	29.0	37.5	26.5	77.0	35.0	42.0	2.5	N/A
NV-325	N/A	29.0	37.5	30.0	77.0	37.0	40.0	2.5	N/A

## Manufacture Of PVC Dip Molding & PVC Dip Coating

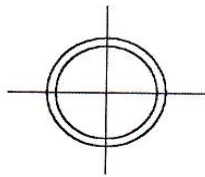


Materials : Soft PVC

D1001 Clear Color

D1007 Solid Color

D2001MA All Color



NE-Series

Dimension : MM.

Dimension						D	L	T			T(UL)
								+2.0	+0.2		N/A
Part No.								-2.0	-0.2		N/A
NE02.0						02.0	10 - 50	0.8 - 1.5			N/A
NE03.0						03.0	10 - 50	0.8 - 1.5			N/A
NE04.0						04.0	10 - 50	0.8 - 1.5			N/A
NE05.0						05.0	10 - 50	0.8 - 1.5			N/A
NE06.0						06.0	10 - 50	0.8 - 1.5			N/A
NE07.0						07.0	10 - 50	0.8 - 1.5			N/A
NE08.0						08.0	10 - 50	0.8 - 1.5			N/A
NE09.0						09.0	10 - 50	0.8 - 1.5			N/A
NE10.0						10.0	10 - 50	0.8 - 1.5			N/A
NE11.0						11.0	10 - 50	0.8 - 1.5			N/A
NE12.0						12.0	10 - 50	0.8 - 1.5			N/A
NE13.0						13.0	10 - 50	0.8 - 1.5			N/A
NE14.0						14.0	10 - 50	0.8 - 1.5			N/A
NE15.0						15.0	10 - 50	0.8 - 1.5			N/A
NE16.0						16.0	10 - 50	0.8 - 1.5			N/A
NE17.0						17.0	10 - 50	0.8 - 1.5			N/A
NE18.0						18.0	10 - 50	0.8 - 1.5			N/A
NE19.0						19.0	10 - 50	0.8 - 1.5			N/A
NE20.0						20.0	10 - 50	0.8 - 1.5			N/A
NE21.0						21.0	10 - 50	0.8 - 1.5			N/A
NE22.0						22.0	10 - 50	0.8 - 1.5			N/A
NE23.0						23.0	10 - 50	0.8 - 1.5			N/A
NE24.0						24.0	10 - 50	0.8 - 1.5			N/A
NE25.0						25.0	10 - 50	0.8 - 1.5			N/A
NE26.0						26.0	10 - 50	0.8 - 1.5			N/A
NE27.0						27.0	10 - 50	0.8 - 1.5			N/A
NE28.0						28.0	10 - 50	0.8 - 1.5			N/A
NE29.0						29.0	10 - 50	0.8 - 1.5			N/A
NE30.0 - NE80.0						30.0 - 80.0	10 - 50	0.8 - 1.5			N/A

## Manufacture Of PVC Dip Molding & PVC Dip Coating

### Cover Cap For Miscellaneous



Materials : Soft PVC  
 D1001 Clear Color  
 D1007 Solid Color  
 D2001MA All Color



COVER CAP

Dimension : MM.

Dimension		<h1>Up to customer</h1>			
Part No.					

### Battery Cap For Miscellaneous



Materials : Soft PVC  
 D1001 Clear Color  
 D1007 Solid Color  
 D2001MA All Color



BATTERY CAP

Dimension : MM.

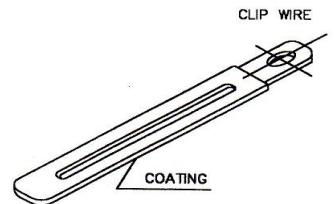
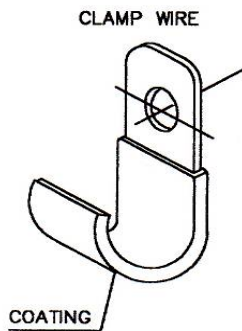
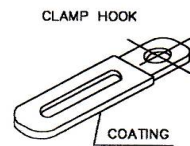
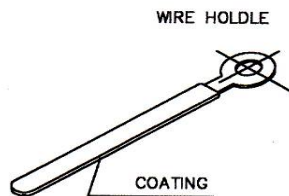
Dimension		<h1>Up to customer</h1>			
Part No.					



## Manufacture Of PVC Dip Molding & PVC Dip Coating

### Dip Coating For Miscellaneous

Materials : Soft PVC  
 D1001 Clear Color  
 D1007 Solid Color  
 D2001MA All Color



COATING

Dimension : MM.

Dimension		<i>Up to customer</i>			
Part No.					

For more information please contact as below

**Name** N.S.D.TRADING LIMITED PARTNERSHIP

**Address** 57/4 Moo 12 Tanasit Road, Tambol Bangpla, Ampur Bangplee, Samutprakarn 10540 THAILAND

**Telephone** +(662) 182-1112-3

**Fax** +(662) 182-1114

**Website** <http://www.nsd.co.th>

**E-mail** sales@nsd.co.th ; yongyuth@nsd.co.th